

Scaled data based on original data using  
LM-79-08 Approved Method: Electrical and Photometric Measurements of Solid-State  
Lighting Products

Test Report Prepared for  
Cooper Lighting Solutions  
(formerly Eaton)

Brand: STREETWORKS

Report Number: P571708

Luminaire Tested: **UFLD-S-CA1-50-722-U-66-TS2LW\_NFFLD**

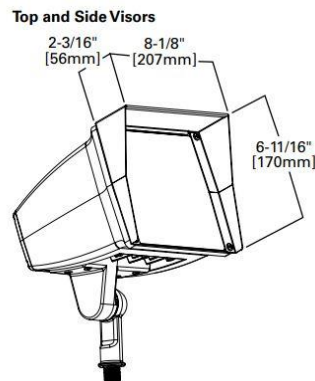
Issue Date: 9/21/2021

**Test Information**

Test Method: LM-79-08  
Report Number: P571708  
TEST IS SCALED FROM IESNA LM-79-08 TEST DATA (G2-2109-378-6)  
Test Lab: COOPER LIGHTING SOLUTIONS  
Issue Date: 9/21/2021  
Manufacturer: COOPER LIGHTING SOLUTIONS (FORMERLY EATON)  
Product Line: STREETWORKS  
Catalog Number: UFLD-S-CA1-50-722-U-66-TS2LW\_NFFLD  
Description: FLOOD LIGHT SMALL, 6x6 OPTIC WITH TOP AND SIDE VISOR  
Light Source: (1) 2200K CCT, 70 CRI LEDS  
Ballast/Driver: -

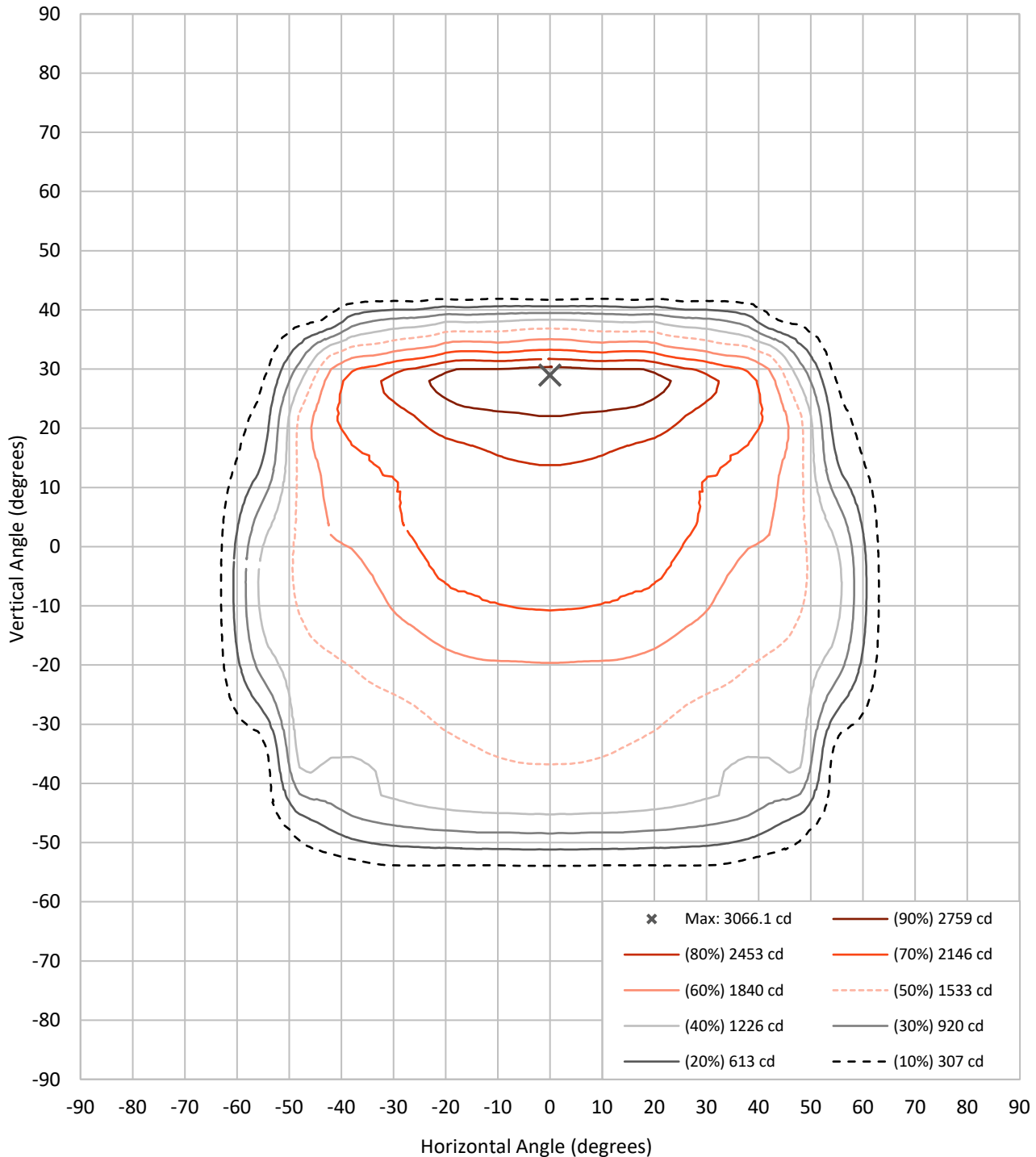
**Summary**

Lumens per Lamp:	N/A	NEMA Type:	6H x 5V
Luminaire Lumens:	4780 lumens	Max Intensity:	3066.1 candela
Efficiency:	N/A	Max Intensity Angle:	0°H x 29°V
Efficacy:	96.4 lumens/watt		
Luminous Opening:	Rectangular (W 0.67' x L: 0.5' x H: 0')		
Beam Angle (50%):	90.2°H x 73.7°V	Field Angle (10%):	108.6°H x 95.6°V
Beam Lumens:	3454 lumens	Field Lumens:	4650.9 lumens
Beam Efficiency:	72.3%	Field Efficiency:	97.3%
Input Watts (W):	49.6		
Input Voltage (V):	120		
Input Current (Ain):	NR		
Voltage Rise (V):	NR		
Power Factor:	NR		
Total Harmonic Distortion (THDi):	NR		
Frequency (hertz):	60		
Stabilization Time:	NR		
Operation Time:	NR		
Ambient Temperature (°C):	NR		
Test Distance:	25 FT		



REPORT NUMBER: P571708  
CATALOG NUMBER: UFLD-S-CA1-50-722-U-66-TS2LW\_NFFLD

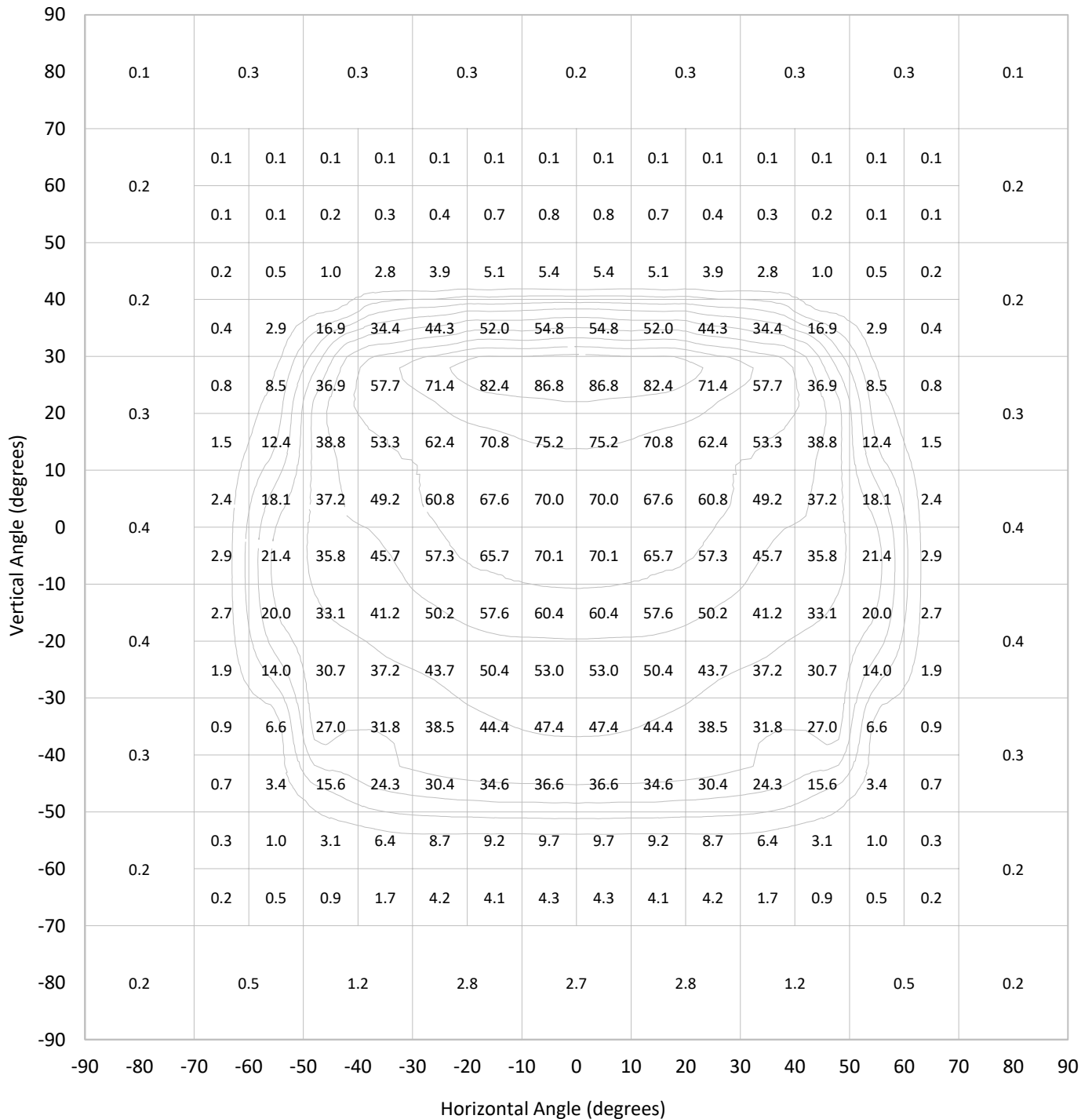
### Iso-Candela Plot





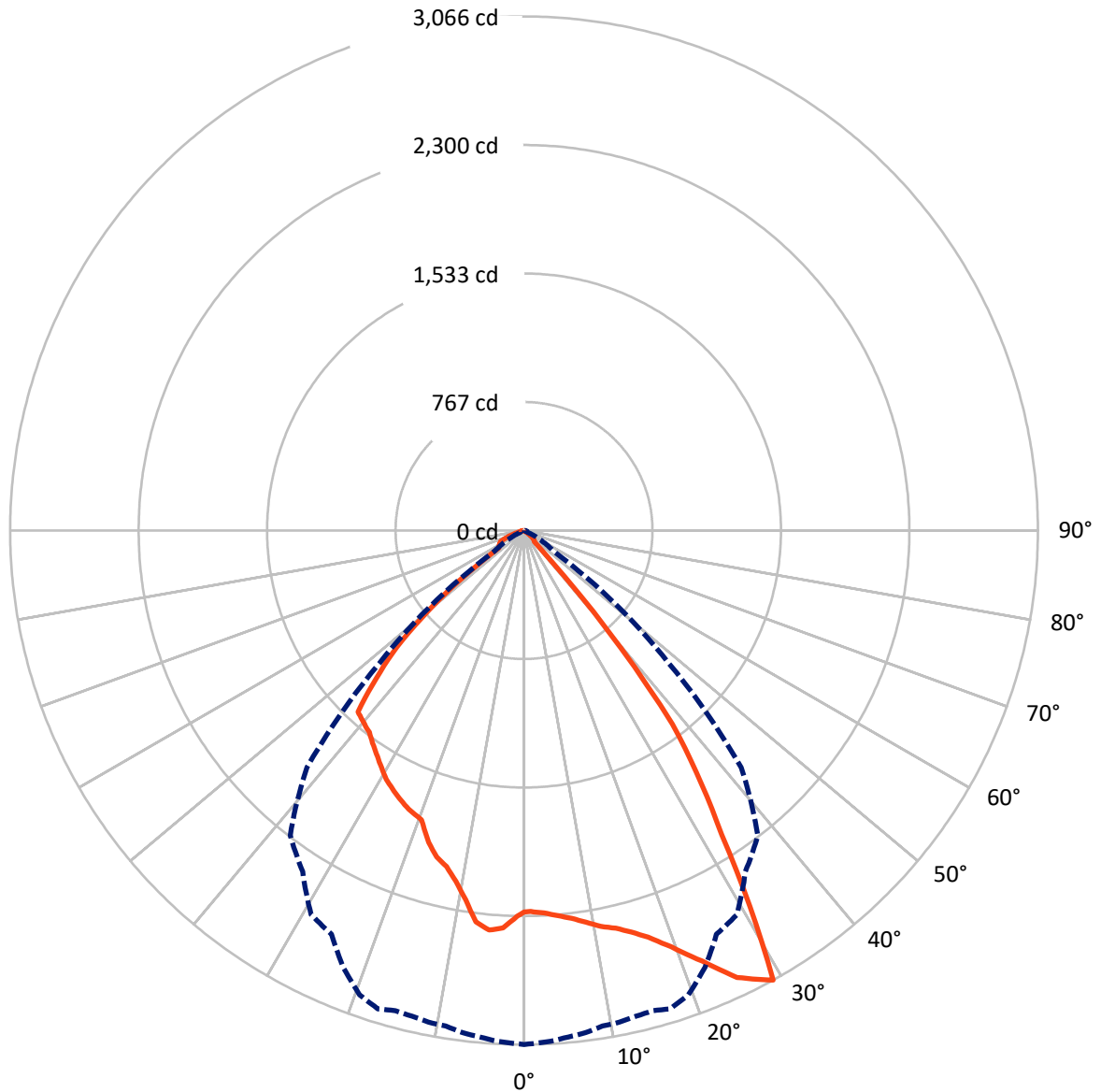
REPORT NUMBER: P571708  
 CATALOG NUMBER: UFLD-S-CA1-50-722-U-66-TS2LW\_NFFLD

### Lumen Table



REPORT NUMBER: P571708  
CATALOG NUMBER: UFLD-S-CA1-50-722-U-66-TS2LW\_NFFLD

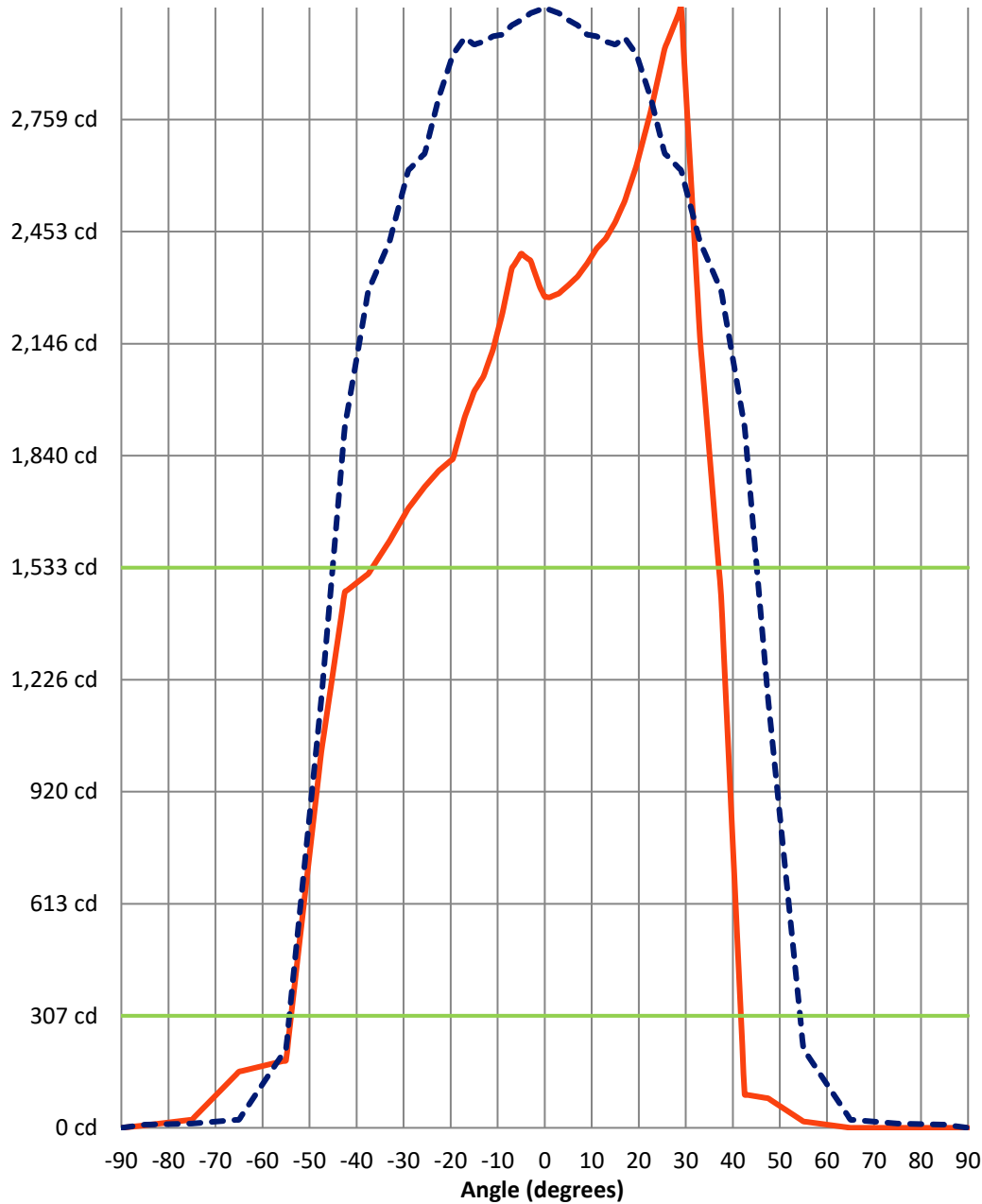
### Luminous Intensity Polar Plot



— Vertical Distribution Through 0-Deg      - - - Horizontal Distribution Through 29-Deg

REPORT NUMBER: P571708  
 CATALOG NUMBER: UFLD-S-CA1-50-722-U-66-TS2LW\_NFFLD

### Luminous Intensity Plot



**Beam:**  
 H Angle: 90.2°  
 V Angle: 73.7°  
 Lumens: 3454  
 Efficiency: 72.3%

**Field:**  
 H Angle: 108.6°  
 V Angle: 95.6°  
 Lumens: 4650.9  
 Efficiency: 97.3%

**Spill:**  
 Lumens: 129.1  
 Efficiency: 2.7%

- Vertical Distribution through 0-Deg
- - - Horizontal Distribution through 29-Deg



REPORT NUMBER: P571708  
 CATALOG NUMBER: UFLD-S-CA1-50-722-U-66-TS2LW\_NFFLD

FIELD  
 BEAM

**CANDELA DISTRIBUTION:**

	0°	1°	3°	5°	7°	9°	11°	13°	15°	17°	19.5°
90°	0.0	0.0	0.0	0.0	0.0	0.0	0.0	0.0	0.0	0.0	0.0
85°	0.0	1.0	2.9	2.9	2.9	2.9	3.9	3.9	3.9	3.9	3.9
75°	0.0	1.0	1.0	1.9	2.9	2.9	2.9	2.9	2.9	2.9	1.9
65°	0.0	0.0	1.0	1.0	1.9	1.9	1.9	1.9	1.9	1.9	1.9
55°	17.5	17.5	17.5	17.5	17.5	17.5	18.5	17.5	16.5	16.5	16.5
47.5°	80.7	80.7	80.7	76.8	73.9	72.9	71.0	67.1	65.1	67.1	65.1
42.5°	91.4	93.3	106.9	127.4	144.8	158.5	158.5	145.8	114.7	95.3	153.6
37.5°	1455.3	1442.7	1461.1	1424.2	1399.9	1363.9	1353.2	1338.6	1325.0	1340.6	1361.0
33°	2165.0	2141.6	2165.9	2115.4	2098.9	2064.8	2084.3	2126.1	2135.8	2141.6	2096.9
29°	3066.1	3060.3	3050.6	3032.1	3017.5	2992.3	2987.4	2972.8	2965.0	2983.5	2937.8
25.5°	2953.4	2956.3	2943.7	2931.0	2915.5	2920.3	2907.7	2895.1	2881.4	2853.2	2796.9
22.5°	2780.3	2787.1	2774.5	2756.0	2744.4	2741.5	2728.8	2714.2	2701.6	2691.9	2654.0
19.5°	2633.5	2636.5	2631.6	2621.9	2613.1	2602.4	2583.0	2561.6	2542.2	2537.3	2519.8
17°	2536.3	2539.2	2535.4	2527.6	2518.8	2503.3	2484.8	2460.5	2441.1	2425.5	2399.3
15°	2479.0	2480.9	2478.0	2470.2	2459.5	2447.9	2433.3	2413.8	2392.5	2369.1	2337.0
13°	2434.3	2436.2	2433.3	2424.5	2414.8	2403.1	2390.5	2374.0	2355.5	2335.1	2307.9
11°	2406.1	2407.0	2402.2	2395.4	2384.7	2373.0	2359.4	2340.9	2327.3	2315.7	2300.1
9°	2365.2	2366.2	2364.3	2358.4	2353.6	2341.9	2331.2	2316.6	2305.9	2302.0	2297.2
7°	2330.2	2331.2	2331.2	2324.4	2319.5	2311.8	2303.0	2291.3	2285.5	2288.4	2293.3
5°	2305.9	2307.9	2306.9	2301.1	2297.2	2292.3	2287.5	2279.7	2272.9	2283.6	2297.2
3°	2283.6	2283.6	2285.5	2282.6	2281.6	2282.6	2283.6	2280.7	2278.7	2293.3	2311.8
1°	2272.9	2272.9	2276.8	2277.7	2280.7	2286.5	2298.2	2305.9	2307.9	2303.0	2368.1
0°	2274.8	2274.8	2280.7	2288.4	2297.2	2309.8	2319.5	2324.4	2319.5	2302.0	2487.7
-1°	2300.1	2297.2	2301.1	2314.7	2324.4	2336.1	2339.0	2335.1	2321.5	2296.2	2328.3
-3°	2373.0	2375.0	2374.0	2375.9	2375.9	2373.0	2357.5	2329.3	2299.1	2265.1	2237.9
-5°	2392.5	2398.3	2392.5	2385.6	2379.8	2354.5	2325.4	2284.5	2230.1	2198.0	2170.8
-7°	2351.6	2342.9	2338.0	2323.4	2304.0	2265.1	2228.2	2186.4	2156.2	2147.5	2140.7
-9°	2229.1	2222.3	2219.4	2212.6	2200.0	2172.7	2157.2	2140.7	2130.0	2130.0	2122.2
-11°	2130.0	2126.1	2124.1	2117.3	2115.4	2102.8	2100.8	2095.0	2086.2	2086.2	2072.6
-13°	2057.1	2057.1	2057.1	2054.1	2047.3	2042.5	2041.5	2036.6	2026.0	2022.1	2001.6
-15°	2015.3	2016.2	2012.3	2008.5	1999.7	1993.9	1988.0	1980.3	1966.7	1956.0	1929.7
-17°	1945.3	1940.4	1944.3	1936.5	1936.5	1930.7	1928.7	1924.8	1911.2	1895.7	1863.6
-19.5°	1831.5	1832.5	1830.6	1824.7	1821.8	1820.8	1819.9	1814.0	1799.4	1782.9	1757.6
-22.5°	1798.5	1797.5	1794.6	1790.7	1787.8	1784.9	1785.8	1782.9	1769.3	1752.8	1727.5
-25.5°	1754.7	1753.8	1750.8	1746.0	1740.1	1734.3	1736.3	1732.4	1721.7	1708.1	1686.7
-29°	1695.4	1692.5	1689.6	1685.7	1676.0	1661.4	1650.7	1642.0	1630.3	1619.6	1595.3
-33°	1606.0	1605.0	1605.0	1601.1	1592.4	1580.7	1568.1	1555.4	1538.9	1522.4	1494.2
-37.5°	1516.5	1516.5	1516.5	1514.6	1510.7	1504.9	1498.1	1486.4	1469.9	1450.4	1424.2
-42.5°	1466.0	1465.0	1466.0	1461.1	1455.3	1447.5	1441.7	1431.0	1418.4	1408.6	1393.1
-47.5°	1028.5	1013.0	1021.7	1023.7	1005.2	1010.1	1008.1	1009.1	1002.3	983.8	967.3
-55°	184.7	184.7	186.7	189.6	187.6	182.8	176.9	176.9	183.7	186.7	182.8
-65°	153.6	153.6	153.6	152.6	152.6	151.7	151.7	151.7	151.7	151.7	156.5
-75°	22.4	21.4	22.4	22.4	20.4	21.4	24.3	24.3	24.3	24.3	24.3
-85°	6.8	6.8	6.8	9.7	10.7	11.7	11.7	12.6	12.6	11.7	11.7
-90°	0.0	0.0	0.0	0.0	0.0	0.0	0.0	0.0	0.0	0.0	0.0



REPORT NUMBER: P571708

CATALOG NUMBER: UFLD-S-CA1-50-722-U-66-TS2LW\_NFFLD

**CANDELA DISTRIBUTION (continued):**

	22.5°	25.5°	29°	33°	37.5°	42.5°	47.5°	55°	65°	75°	85°
90°	0.0	0.0	0.0	0.0	0.0	0.0	0.0	0.0	0.0	0.0	0.0
85°	3.9	3.9	3.9	2.9	2.9	3.9	3.9	4.9	6.8	7.8	7.8
75°	1.9	1.9	1.9	1.9	2.9	3.9	3.9	4.9	6.8	7.8	8.7
65°	1.9	1.9	1.9	1.9	1.9	2.9	3.9	5.8	6.8	7.8	8.7
55°	14.6	10.7	7.8	8.7	10.7	7.8	5.8	6.8	7.8	8.7	8.7
47.5°	52.5	32.1	20.4	18.5	20.4	15.6	12.6	12.6	16.5	8.7	8.7
42.5°	148.7	56.4	103.0	112.8	97.2	31.1	43.7	34.0	19.4	9.7	8.7
37.5°	1243.4	1183.1	1151.0	1064.5	911.9	381.1	279.0	46.7	20.4	9.7	8.7
33°	1956.9	1907.4	1845.1	1719.7	1704.2	1447.5	789.4	96.2	20.4	10.7	8.7
29°	2820.2	2667.6	2619.9	2425.5	2291.3	1918.0	1172.4	215.8	22.4	11.7	8.7
25.5°	2719.1	2625.8	2521.7	2415.8	2304.0	2026.0	1435.9	314.0	25.3	11.7	8.7
22.5°	2572.3	2479.0	2390.5	2312.7	2248.6	2095.0	1642.9	389.8	29.2	11.7	8.7
19.5°	2454.7	2373.0	2292.3	2217.5	2187.3	2099.8	1711.9	450.1	35.0	11.7	8.7
17°	2340.0	2275.8	2217.5	2165.9	2155.2	2040.5	1702.2	502.6	44.7	12.6	8.7
15°	2276.8	2214.5	2172.7	2152.3	2130.9	1966.7	1689.6	554.1	50.6	12.6	8.7
13°	2243.7	2180.5	2151.4	2158.2	2090.1	1916.1	1672.1	635.8	56.4	12.6	8.7
11°	2239.8	2169.8	2150.4	2130.0	2041.5	1898.6	1659.5	734.9	59.3	12.6	8.7
9°	2251.5	2189.3	2148.4	2075.5	1999.7	1892.8	1650.7	849.7	60.3	13.6	9.7
7°	2261.2	2201.9	2146.5	2026.9	1956.9	1877.2	1636.1	955.6	58.3	13.6	9.7
5°	2275.8	2211.6	2141.6	1989.0	1921.9	1859.7	1623.5	1062.6	55.4	13.6	9.7
3°	2272.9	2192.2	2123.2	1953.0	1892.8	1846.1	1613.8	1155.9	54.4	13.6	9.7
1°	2250.5	2158.2	2081.4	1925.8	1862.6	1825.7	1608.9	1234.6	54.4	14.6	9.7
0°	2237.9	2138.7	2056.1	1913.2	1847.1	1816.0	1607.0	1269.6	53.5	14.6	9.7
-1°	2216.5	2113.4	2040.5	1901.5	1833.5	1802.4	1603.1	1295.9	53.5	14.6	9.7
-3°	2164.0	2072.6	2013.3	1876.2	1810.1	1780.0	1600.2	1330.9	54.4	14.6	9.7
-5°	2125.1	2055.1	1991.0	1853.9	1792.6	1756.7	1592.4	1348.4	55.4	14.6	9.7
-7°	2108.6	2037.6	1965.7	1824.7	1765.4	1727.5	1583.6	1351.3	55.4	14.6	9.7
-9°	2084.3	2007.5	1926.8	1787.8	1731.4	1691.5	1574.9	1342.5	56.4	15.6	9.7
-11°	2027.9	1946.2	1866.5	1748.9	1693.5	1646.8	1553.5	1327.0	56.4	15.6	9.7
-13°	1953.0	1874.3	1801.4	1705.1	1655.6	1608.9	1533.1	1295.9	56.4	15.6	9.7
-15°	1876.2	1801.4	1740.1	1667.2	1623.5	1575.8	1514.6	1248.2	56.4	15.6	9.7
-17°	1803.3	1729.4	1678.9	1628.3	1590.4	1543.8	1493.2	1186.0	57.4	15.6	9.7
-19.5°	1706.1	1647.8	1611.8	1581.7	1547.7	1504.9	1470.9	1088.8	56.4	14.6	9.7
-22.5°	1670.1	1613.8	1581.7	1551.5	1514.6	1471.8	1455.3	931.3	53.5	14.6	9.7
-25.5°	1624.5	1566.1	1530.2	1504.9	1484.5	1443.6	1452.4	743.7	51.5	14.6	9.7
-29°	1539.9	1492.2	1456.3	1429.1	1411.6	1403.8	1459.2	499.7	53.5	13.6	9.7
-33°	1451.4	1407.7	1362.0	1320.2	1293.0	1310.5	1440.7	196.4	55.4	13.6	9.7
-37.5°	1389.2	1347.4	1295.9	1232.7	1173.4	1170.5	1317.3	101.1	57.4	13.6	9.7
-42.5°	1353.2	1322.1	1270.6	1217.1	1136.4	972.1	920.6	125.4	55.4	12.6	9.7
-47.5°	957.6	931.3	906.0	864.2	799.1	625.1	419.0	83.6	43.7	10.7	8.7
-55°	197.3	195.4	202.2	192.5	115.7	62.2	85.5	36.9	13.6	10.7	8.7
-65°	172.1	189.6	142.9	77.8	26.2	33.1	47.6	28.2	10.7	9.7	8.7
-75°	23.3	22.4	16.5	16.5	18.5	17.5	12.6	8.7	8.7	8.7	8.7
-85°	10.7	9.7	9.7	8.7	8.7	7.8	7.8	6.8	7.8	8.7	8.7
-90°	0.0	0.0	0.0	0.0	0.0	0.0	0.0	0.0	0.0	0.0	0.0





REPORT NUMBER: P571708  
CATALOG NUMBER: UFLD-S-CA1-50-722-U-66-TS2LW\_NFFLD

**CANDELA DISTRIBUTION (continued):**

	90°
90°	0.0
85°	0.0
75°	0.0
65°	0.0
55°	0.0
47.5°	0.0
42.5°	0.0
37.5°	0.0
33°	0.0
29°	0.0
25.5°	0.0
22.5°	0.0
19.5°	0.0
17°	0.0
15°	0.0
13°	0.0
11°	0.0
9°	0.0
7°	0.0
5°	0.0
3°	0.0
1°	0.0
0°	0.0
-1°	0.0
-3°	0.0
-5°	0.0
-7°	0.0
-9°	0.0
-11°	0.0
-13°	0.0
-15°	0.0
-17°	0.0
-19.5°	0.0
-22.5°	0.0
-25.5°	0.0
-29°	0.0
-33°	0.0
-37.5°	0.0
-42.5°	0.0
-47.5°	0.0
-55°	0.0
-65°	0.0
-75°	0.0
-85°	0.0
-90°	0.0

(END OF REPORT)